

EN



SPARE PARTS CATALOGUE

for AUTOTERM AIR 2D

Manufacturer: ADVERS LLC

Representative office: AUTOTERM LLC

Paleju 72, Marupe, Latvia, LV-2167

Warranty Department warranty@autoterm.com

Technical Support service@autoterm.com

www.autoterm.com

This spare parts catalogue is intended for companies and individuals involved in installing, repairing, and maintaining air heaters AUTOTERM AIR 2D.

This catalogue consists of two sections:

1. Contents of the installation kit of the heater (Figure 1, Table 1)
2. Schematic of the heater's spare parts (Figure 2, Table 2)

If a part fails during use of the heater, look for its designation in this catalogue to order a replacement from the manufacturer.



To facilitate ordering, use the manufacturer's spare parts numbers in the tables below.

Table 1

No	Part/assembly description and designation	Notes	Air 2D (24V) ASSY 4740	Air 2DASSY 4745	Air 2D (24V) ASSY 5125	Air 2DASSY 5130	Air 2D (24V) ASSY 5365	Air 2D (12V) ASSY 5370	Air 2D (24V) ASSY 5545	Air 2D (12V) ASSY 5560	Air 2D (24V) ASSY 5555	Air 2D (12V) ASSY 5570	Air 2D (12V) ASSY 5860
	Air heater number		1	2	3	4	5	6	7	8	9	10	11
1	Heater												
	ASSY 4741	24V	1		1		1						
	ASSY 4746	12V		1		1		1					
	ASSY 5546	24V							1		1		
	ASSY 5561	12V								1		1	1
2	Fuel intake												
	ASSY 807		1	1	1	1			1	1			
3	Fuel pump												
	P0637 24V	Thomas Magnete	1										
	P0636 12V	Thomas Magnete		1									
	ASSY 4997	TH11-4,4ml-24V			1				1				
	ASSY 4995	TH11-4,4ml-12V				1				1			1
4	Control panel												
	ASSY 3765	PU-5TM											1
5	Fuel filter												
	ASSY 3763												1
7	Fuel pump harness												
	ASSY 2061	L=6.0 m	1	1	1	1			1	1			
	ASSY 5861	l=1.4 m											1
8	Control panel harness												
	ASSY 2067	L=1.8 m	1	1	1	1			1	1			
	ASSY 5604	L=2.0 m											1
10	Exhaust silencer												
	ASSY 3944		1	1	1	1			1	1			
11	Air intake pipe with silencer												
	ASSY 2552		1	1	1	1			1	1			1

No	Part/assembly description and designation	Notes	Air 2D (24V) ASSY 4740	Air 2DASSY 4745	Air 2D (24V) ASSY 5125	Air 2DASSY 5130	Air 2D (24V) ASSY 5365	Air 2D (12V) ASSY 5370	Air 2D (24V) ASSY 5545	Air 2D (12V) ASSY 5560	Air 2D (24V) ASSY 5555	Air 2D (12V) ASSY 5570	Air 2D (12V) ASSY 5860
	Air heater number		1	2	3	4	5	6	7	8	9	10	11
12	Power supply harness												
	ASSY 4007	24V L=6.5 m	1		1				1				
	ASSY 3647	12V L=6.5 m		1		1				1			
	ASSY 5862	12V L=3.1 m											1
15	Air intake mounting kit												
	ASSY 9021		1	1	1	1			1	1			1
16	Exhaust pipe and heater mounting kit												
	ASSY 9022		1	1	1	1			1	1			1
17	Fuel system mounting kit												
	ASSY 9049		1	1	1	1			1	1			
	ASSY 9112												1
18	Wiring harnesses mounting kit												
	ASSY 9050		1	1	1	1			1	1			1
20	Fuel supply line												
	p.879	L=5.5 m	1	1	1	1			1	1			
	p.6375	L=1.7 m											1
22	Exhaust pipe												
	p.1106	Metal hose L=1 m	1	1	1	1			1	1			
	p.1107	Metal hose L=0.45 m											1
	ASSY 5381	L=1 m							1	1			
	ASSY 5274	L=0.45 m											1
23	Duplicate of label												
	p.5098		1		1		1						
	p.5099			1		1		1					
	p.6022								1		1		
	p.6023									1		1	1
48	Heat insulation (28x5x450)		1	1	1	1			1	1			1

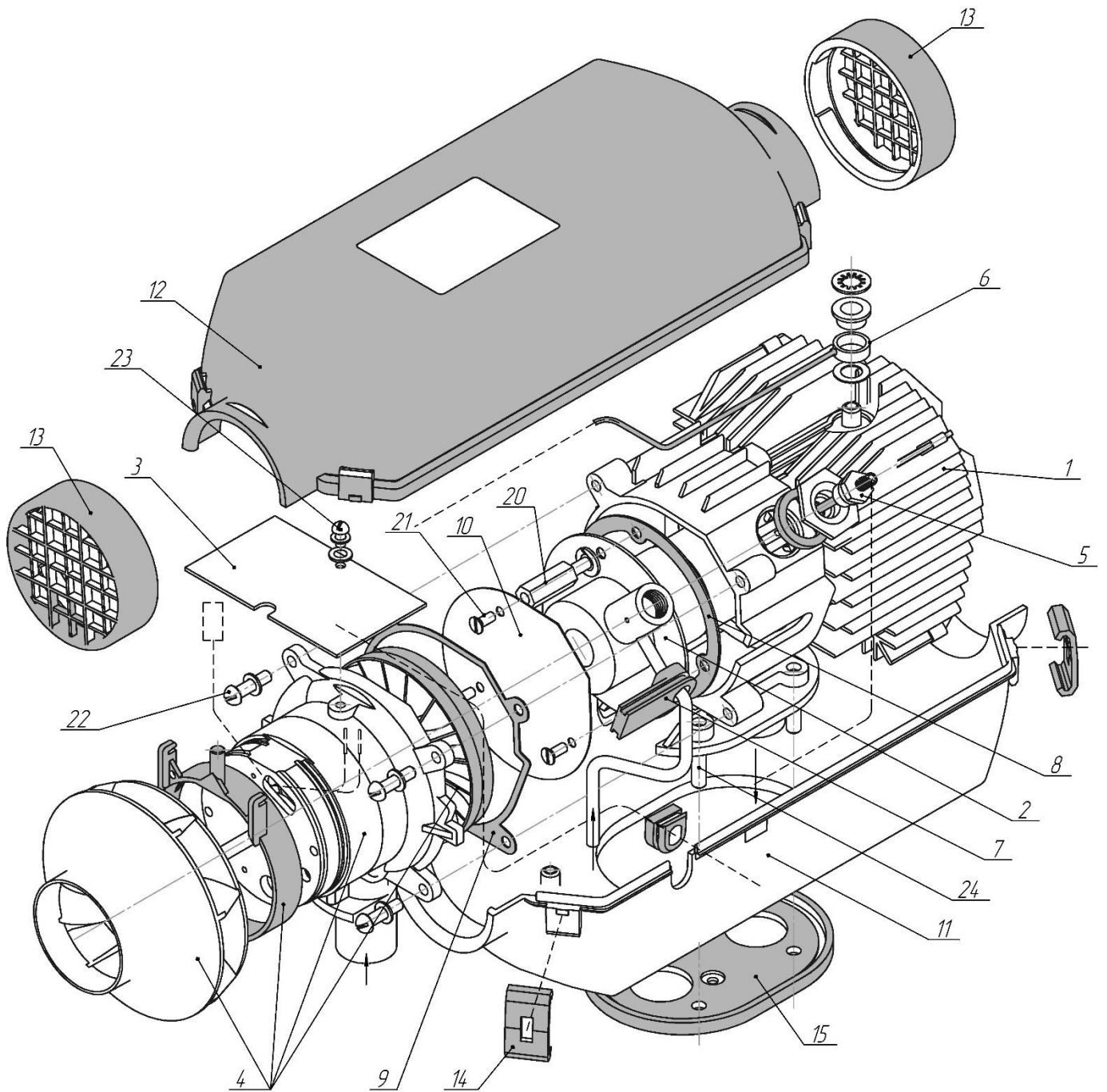


Figure 2 – Schematic of spare parts for the heater

Table 2

No	Part/assembly description and designation	Notes	ASSY 4741	ASSY 4746	ASSY 5546	ASSY 5561
	Heater number		1	2	3	4
1	Heat exchanger					
	p.4055		1	1	1	1
2	Combustion chamber					
	ASSY 2578		1	1	1	1
3	Control unit					
	ASSY 4223		1			
	ASSY 3983			1		
	p.1070	gasket	1	1	1	1
	ASSY 5548				1	
	ASSY 5563					1
4	Air pump					
	ASSY 2579	24V	1			
	ASSY 2613	12V		1		
	ASSY 5549	24V			1	
	ASSY 5564	12V				1
5	Glow plug mounting					
	ASSY 2583	24V	1		1	
	ASSY 2615	12V		1		1
	p.2822	Sealing sleeve	1	1	1	1
	p.2659	Metallic sleeve	1	1	1	1
6	Temperature sensor assembly					
	ASSY 3076	Temperature sensor	1	1		
	p.3939	Washer (mica)	1	1	1	1
	p.2661	Insulator	1	1	1	1
	Bolt M5x10 DIN 7500CE		1	1	1	1
	Washer Ø5	Enlarged	1	1	1	1
	Spring washer Ø8 DIN 137		1	1	1	1
7	Seal for fuel pipe					
	p.2658		1	1	1	1
8	Combustion chamber gasket					
	p.2655		1	1	1	1
9	Air pump gasket					
	p.2656		1	1	1	1
10	Combustion chamber screen					
	p.2967		1	1	1	1
11	Bottom case					
	p.2647		1	1	1	1
12	Top case					
	p.2648		1	1	1	1
13	Grid					
	p.2649		2	2	2	2
14	Case hook					
	p.1683		4	4	4	4
15	Mounting seal					
	p.2650		1	1	1	1
20	Bushing for combustion chamber screen					
	p.2905		3	3	3	3
	Lock washer Ø5		3	3	3	3
21	Shield fixing					
	Screw M4x10 DIN965		3	3	3	3
22	Air pump fixing					

№	Part/assembly description and designation	Notes	ASSY 4741	ASSY 4746	ASSY 5546	ASSY 5561
	Heater number		1	2	3	4
	Screw M5x20 DIN 7500 CE		4	4	4	4
	Lock washer Ø5		4	4	4	4
23	Control unit mounting					
	Screw M4x10 DIN 7500 CE		1	1	1	1
	Lock washer Ø4		1	1	1	1
24	Studs					
	M6x18		3	3	3	3
	M6x20 DIN 939		1	1	1	1